

Surface Mount VC-TCXO

Series **CC142**

- 5 mm height
- Tight stability available
- Sinewave output

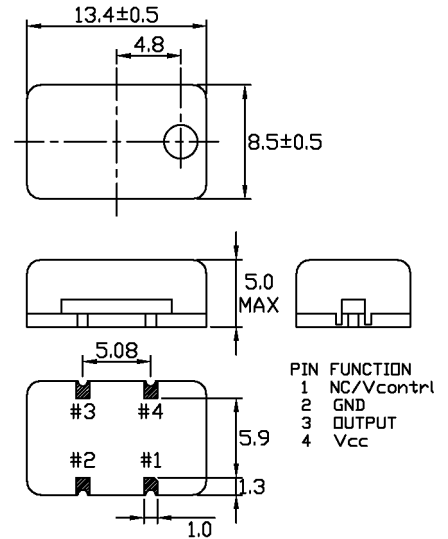
Part Numbering Example: CC142 L Z - A2 B2 - 22.5792

CC142	L	Z	A2	B2	22.5792	M
SERIES	VOLTAGE	PACKAGING OPTIONS	OPERATING TEMP.	STABILITY	FREQUENCY	PULL RANGE
CC142	Blank = 5V L = 3.3V	Blank = Bulk Z = Tape and Reel	A2 = -10°C ~+60°C A3 = -30°C ~+75°C A5 = -20°C ~+70°C A9 = 0°C ~+50°C AA = -10°C ~+70°C AB = -30°C ~+70°C AC = -30°C ~+60°C	B1 = ±5.0 ppm B2 = ±3.0 ppm B3 = ±2.5 ppm B4 = ±2.0 ppm B5 = ±1.5 ppm B9 = ±4.0 ppm BB = ±4.5 ppm BF = ±3.5 ppm		L = ±10 ppm M = ±5 ppm

Specifications:

Frequency Range:	10.0 MHz to 35.000 MHz
Available Stability Options:	±1.5 ppm ±2.0 ppm ±2.5 ppm ±3.0 ppm ±3.5 ppm ±4.0 ppm ±4.5 ppm ±5.0 ppm
Output Series:	Clipped Sine
Input Voltage:	+5.0 VDC ±5% +3.3 VDC ±5%
Operating Temperature Range Options:	0°C to +50°C -10°C to +60°C -10°C to +70°C -20°C to +70°C -30°C to +60°C -30°C to +70°C -30°C to +75°C -40°C to +80°C
Frequency Tuning Range:	±5 ppm Min. ±10 ppm Min.
External Control Voltage:	+2.5 VDC, ±2.0 VDC@ 5 V input +1.5 VDC, ±1.0 VDC@ 3.3 V input
Output Voltage:	1.0 Volt Peak to Peak Minimum
Frequency Trim Range With Externally Adjustable Trimmer:	±3.0 ppm Minimum
Output Load:	20K OHM Parallel with 5 pf
Maximum Input Current:	3 mA
Maximum Frequency Aging at +25°C:	±1 ppm/yr
Storage Temperature:	-40°C to +80°C
Packaging:	Tape and Reel (1K per Reel)

CC142



RECOMMENDED SOLDER PAD LAYOUT

